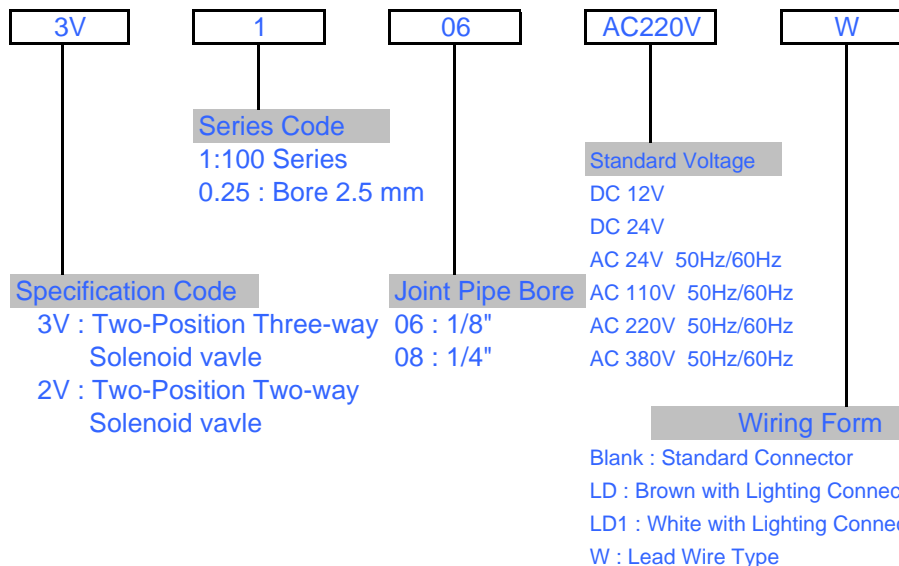


KSD : 3V Solenoid Valve

3V Series Solenoid Valve

Ordering Code



Specification

Model	2V025-06	3V1-06
Working Medium	40 Micron Filtered Air	
Motion Pattern	Direct Drive Type	
Joint Pipe Bore	1/8"	1/8"
Ambient Temperature	-10 ~ + 60 C	
Gas Temperature	5 ~ 60 C	
Air Outlet Diameter	2.5 mm	1.0 mm
Lubrication	No Necessary	
Working - Pressure	0 ~ 0.8 Mpa	
Max.Pressure Resistance	1.6 Mpa	1.2 Mpa
Power Consumption	AC : 5.5VA DC : 4.8W	
Protect Class	IP65	
Power Connection Form	Lead Wire or Connector Type	
Material of Body	Aluminum Alloy	
Highest Action Frequency	10 Cycle / Sec	
Insulation	F Class	
Voltage Range	+/- 10%	
Shortest Excitation Time	0.05 Second	