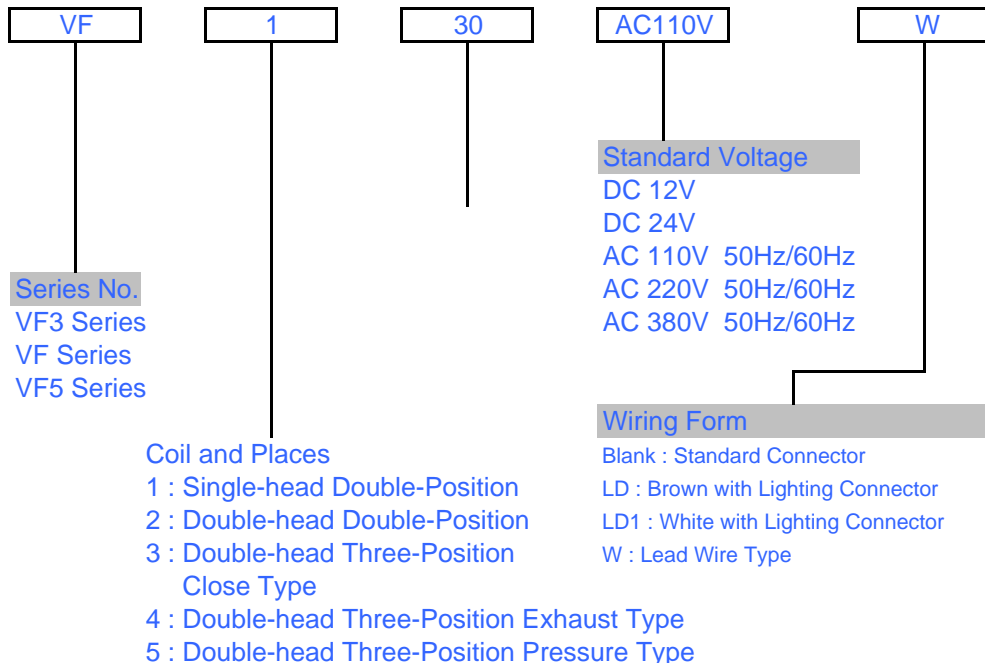


# KSD Solenoid Valve : Pneumatic Control Valve

## VF, VZ Series Solenoid Valve

### Ordering Code



### Specification

Model	VF3130	VF3230	VF33(4/5)30	VF5120	VF5220	VF53(4/5)50	VZ5120	VZ5220	VZ53(3/4)50
The Position Counting	Two-position Five-way		Three-position Five-way	Two-position Five-way		Three-position Five-way	Two-position Five-way		Three-position Five-way
Effective Section Area	16MM <sup>2</sup> (CV=0.89)		12MM <sup>2</sup> (CV=0.67)	25MM <sup>2</sup> (CV=1.40)		18MM <sup>2</sup> (CV=1.00)	12MM <sup>2</sup> (CV=0.67)		9MM <sup>2</sup> (CV=0.50)
Working Medium	40 micron Filtered Air								
Motion Pattern	Inner Guide Type								
Working-Pressure	0.15~0.8Mpa								
Max.Pressure Resistance	1.2 Mpa								
Operating Temperature	5~50 C								
Voltage Range	=+10%								
Power Consumption				AC : 5.5 VA		DC : 4.8 W			
Insulation & Protection Class	F Class & IP 65								
Working Form	Lead Wire or Connector type								
Highest Action Frequency	5 Cycle / Sec								
Sortest Excitation Time	0.05 Second								