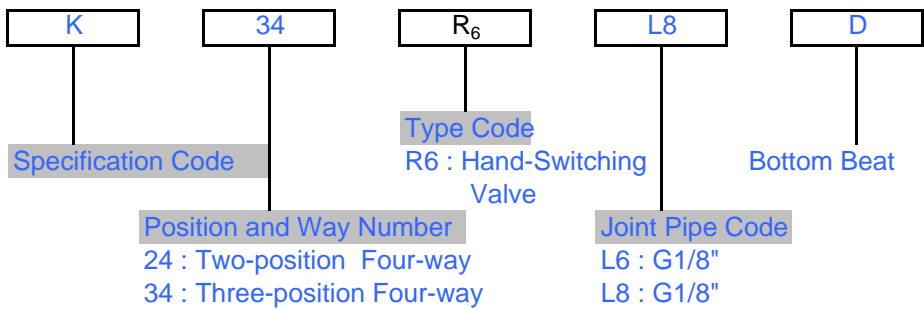
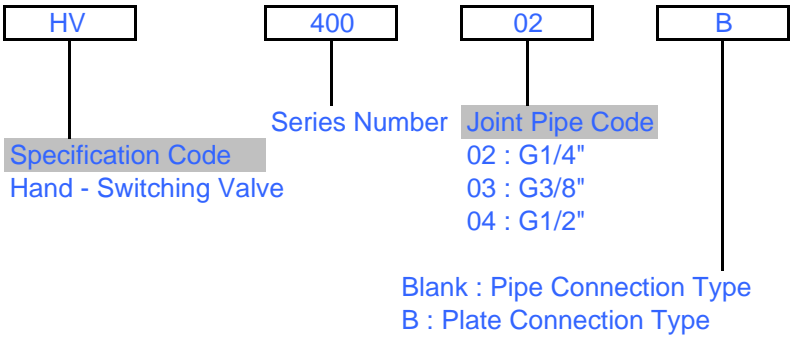


KSD : Hand Switching Valve

Hand-switching Valve



Ordering Code



Specification

Model	HV400-02	HV400-03	HV400-04	L34R6-L6	K34R6-L8
Working Medium	40 Micron Filtered Air				
Joint Pipe Bore	G 1/4"	G 3/8"	G 1/2"	G 1/8"	G 1/4"
Effective Sectional Area	30 MM ² (CV = 1.68)			18 MM ² (CV = 1.00)	
Working-pressure Range	0~0.8 Mpa				
Operating Temperature Range	0~60 C				

TYPE : HV400

Overall Dimension

Overall Dimension

TYPE:HV400

