

TADA : AF / AL(SMC Style)

AF Series Air Filter , AL Series Lubricator
AL 1000 ~ 5000 Series



Ordering Code

A

A - series

F

Function Code
Filter
Lubricator

4000

Specification Code

1000
2000
3000
4000
5000

04

Joint Pipe Bore

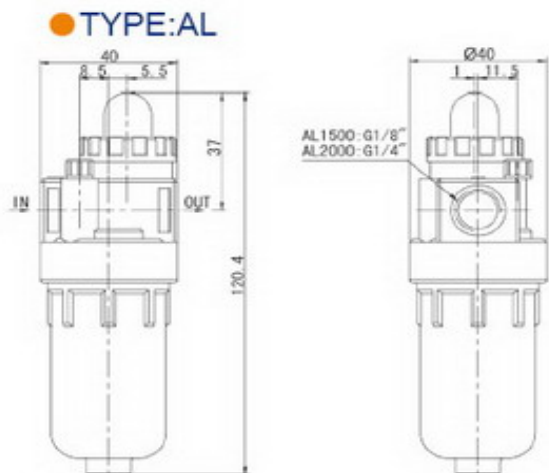
M5 : M5x0.8
01 : G1/8"
02 : G1/4"
03 : G3/8"
04 : G1/2"
06 : G3/4"
10 : G1"

D

Drain Type

Blank : Differential
Brian
D : Automatic Drain

Type : AL



Graphic Symbol

