

TADA : AF /BF AL/BL

AF , BF Series Filter



Ordering Code

BF

Type
 AF : Small Size
 BF : Middle Size
 AL : Small Size
 BL : Middle Size

3000

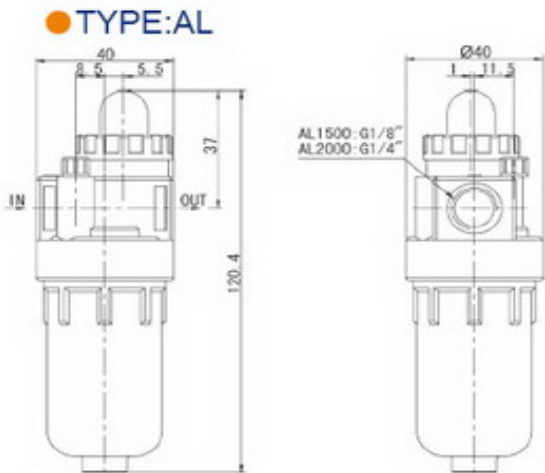
Joint Pipe Bore
 1500 : G1/8"
 2000 : G1/4"
 3000 : G3/8"
 4000 : G1/2"

D

Drain Type
 Blank : Differential Drain
 D : Automatic Drain

Overall Dimension

Type : AL



Graphic Symbol

