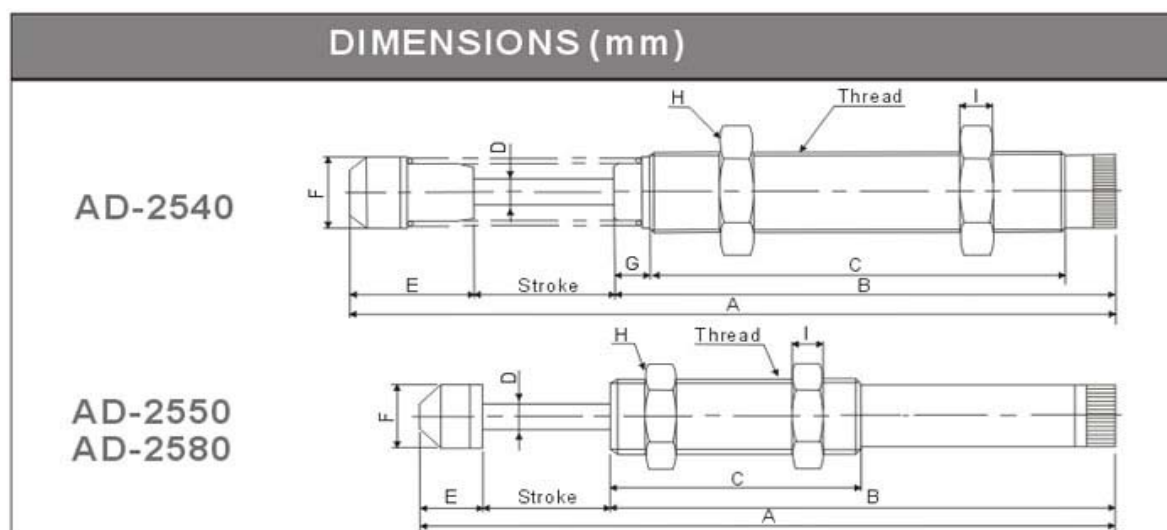


## ADSERIES - ADJUSTABLESHOCK ABSORBERS



### FEATURES

- » The adjustor can be used to adjust the corresponding felicitous shock absorbing capability.
- » Lock device is adopted for preventing inaccurate of the adjustor.
- » The spring can reset the piston rod fast cause the perfect movement of the check valve.
- » It adopts horniness chromeplated piston rod, special sealing element; it can have a long and stable efficiency.
- » It adopts fittings, such as orientation stop screw cap, setting nut, retaining plate etc.
- » The nonstandard can be also manufactured.



MODEL	Stroke (mm)	Max. Absorbing Energy E(Nm)	Max. Absorb. Energy/Hour Ec(Nm/hr)	Max. Effective Mass Me(kg)	Max. Impact Speed (m/s)	Operating Temperature (°C)
AD-2525-N	25	85	51,000	400	3.6	-10~+85
AD-2525	25	85	51,000	400	3.6	-10~+85
AD-2530-N	30	95	57,000	480	3.6	-10~+85
AD-2530	30	95	57,000	480	3.6	-10~+85
AD-2540	40	100	84,000	700	3.6	-10~+85
AD-2550	50	98	98,000	720	4.2	-10~+85
AD-2580	80	150	275,000	800	4.2	-10~+85
AD-3625	25	150	90,000	1,400	3.2	-10~+85
AD-3650	50	300	108,000	1,400	3.2	-10~+85
AD-4225	25	260	130,000	3,000	3.6	-10~+85
AD-4250	50	500	155,000	4,000	4.8	-10~+85
AD-4275	75	750	187,500	6,000	4.8	-10~+85